

GTT100 Temperature Transmitter

Product Manual



DESCRIPTION ///

GTT100 is an intelligent temperature transmitter specially designed for temperature measurement in the field of HVAC. It has the functions of lightning protection, anti-burst and anti-radio frequency interference, etc., with fast response, high precision and good long-term stability. There are three installation methods: wall, air duct and split. It can output standard 4~20mA analog signals and is widely used in BA systems of commercial buildings and conventional buildings.

FEATURES ///

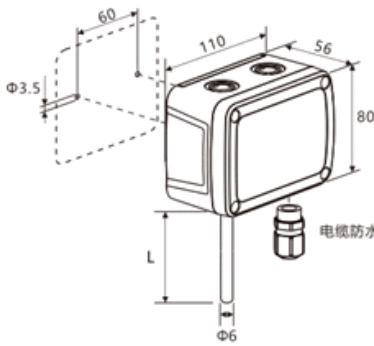
- High accuracy: $\leq 0.2\%FS$ or $0.2^{\circ}C$
- Good stability: $\leq 0.1^{\circ}C/year$ or $0.05\%/year$
- Lightning protection: $\pm 4000V$ (≤ 5 times)
- Anti-burst: Level 3
- Anti-radio frequency interference: $> 10V/m(80MHz\sim 1000MHz)$
- Low temperature drift: $\leq 0.008\%FS/1^{\circ}C$
- Protection class: IP67
- Electrical Protection: Power Reverse
- Wide voltage power supply: $10\sim 30VDC$



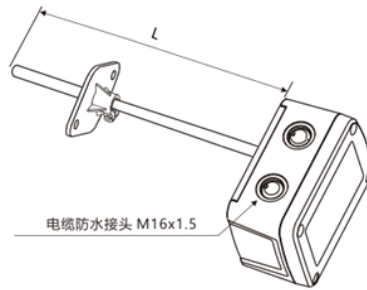
PARAMETERS ///

Model	GTT100
Sensor	Pt100(3 wires)
Temperature range	$-40\sim +125^{\circ}C$ (Special temperature range can be customized)
Conversion precision	$\leq 0.2\%FS$ or $0.2^{\circ}C$
Output signal	4~20mA(2 wires), Pt100
Maximum load	$(V \text{ power supply}-10V)/0.025A$ (output current)
Limit current	$\leq 25mA$
Voltage	10~30VDC
Response time	100mS
Lightning protection	$\pm 4000V$ (≤ 5 times)
Anti-burst	Level 3
Anti-radio frequency interference	$> 10V/m(80MHz\sim 1000MHz)$
Electrical protection	Power reverse
Ambient temperature	$-40\sim +85^{\circ}C$
Temperature drift	$0.008\%FS/1^{\circ}C$
Long-term stability	$\leq 0.1^{\circ}C/year$ or $0.05\%/year$
Protection class	IP67

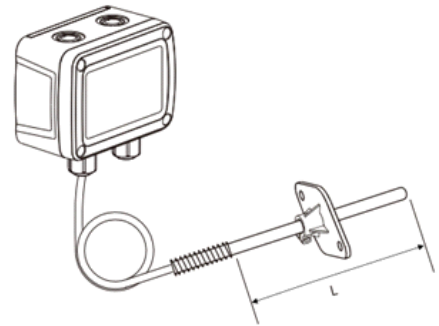
PRODUCT SIZE AND INSTALLATION



Wall mount



Duct installation



Split installation
(air duct installation)

ELECTRICAL CONNECTIONS

Current output	
Passive temperature measuring element	3-Wires

TYPE SELECTION

MODEL	CODE	NOTE
GTT100		Smart Temperature Transmitter
Temperature range	A	0~50°C
	B	0~100°C
	C	-40~+60°C
	D	-10~+50°C
	E	-20~+80°C
	F	-40~+80°C
	G	-40~+125°C
	X	Special temperature range
Output signal	A	4~20mA(2-wires)
	P	Pt100(3-wires)
Installation method	W	Wall mount
	F	Duct installation
	S	Split installation
Attachment	A	Standard
	B	With test report

Note:

- 1: The temperature range must be confirmed when placing an order so that it can be set at the factory.
- 2: Split installation needs to be ordered separately.